



Enduro 200

Ice Drink



Features:

- Available with six, eight or ten UF-1 sanitary lever or push button valves
- Illuminated merchandiser delivers high impact marketing message
- Coldplate to valve manifolding design allows for any combination of carbonated or non-carbonated flavors
- Gravity ice dispensing with positive shut-off provides excellent ice targeting
- Ice used to cool cold plate is separate from ice dispensed into cups
- One piece ABS thermoformed plastic ice storage hopper (Durabide™ design) provides durability and ensures all ice in the hopper is dispensable
- Unit readily accepts top mount cubers with manual ice fill capability
- Stainless steel cabinet
- Modular design allows for easy component access from the front of the unit



Enduro 200

Technical Specifications:

Ice Storage Capacity: 200 lbs. (90.72 kg)

Ice Beverage Manifolding: 6 valve: 3-1-2
8 valve: 2-2-1-3
10 valve: 2-3-1-4

Cup Clearance: 10" (25.40 cm)

Cooling Capacity: Ten -12 oz. drinks / minute @ 75°F

Drain Connection: .75" PVC (NPT) or 1" ID flexible tubing

Graphic Dimensions:

Overall Size: Height 11.083 x Width 24.794
View Size: Height 10.608 x Width 24.17

Standard Features: beverage key switch, 4" legs, timed ice agitation

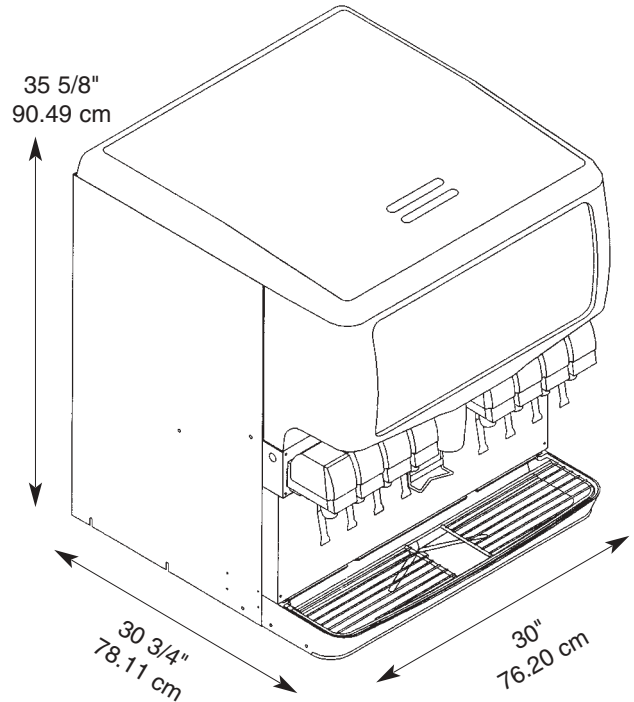
Electrical Rating: 115V / 60Hz / 3.5 A

Shipping Weight: 310 lbs. (140.61 kg)

Agency Listings:



City of New York
City of Los Angeles



Model No.	Part No.	Description
Enduro 200	621053108	Ice Drink Dispenser with 8 UF-1 2.0-4.0 oz. / Sanitary Lever
Enduro 200	0511152	Ice Drink Dispenser with 8 UF-1 2.0-4.0 oz. / Push Button Valves
Enduro 200	621053107	Ice Drink Dispenser with 10 UF-1 2.-4.0 oz. / Sanitary Lever
Enduro 200	621053106	Ice Drink Dispenser with 10 UF-1 2.0-4.0 oz. / Push Button Valves
	3473	Drink dispenser stand for Enduro 200 or Enduro 250 Dimensions: Height 30" Width 30" Depth 30"

For Ice Machine adapter kits, please see price book.



For more information or to place an order, contact your sales representative or authorized distributor.

In the US:

Phone: 1-800-238-3600
Fax: 1-800-535-4235

Outside the US:

Phone: 1-763-421-6120
Fax: 1-763-422-3297

IMI Cornelius Inc.

One Cornelius Place
Anoka, MN 55303-6234
USA